



WAGON

Parts Breakdown

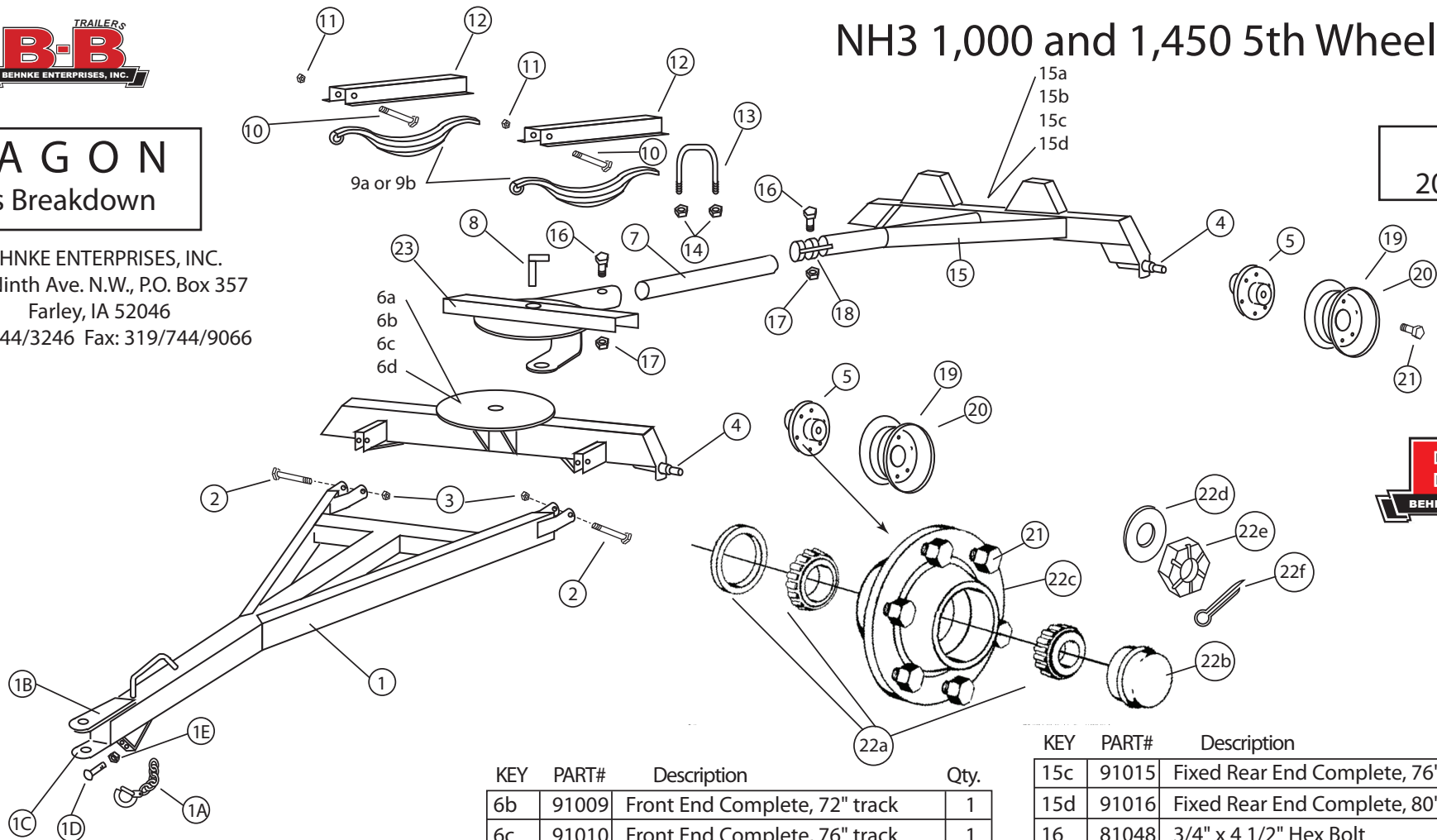
BEHNKE ENTERPRISES, INC.
 800 Ninth Ave. N.W., P.O. Box 357
 Farley, IA 52046
 319/744/3246 Fax: 319/744/9066

NH3 1,000 and 1,450 5th Wheel Wagon

FIXED

Model Year
 2000 to 2008

01/01/06



KEY	PART#	Description	Qty.
1	91001	Tongue	1
1A	81012	Safety Chain w/ Hook	2
1B	31041	Upper Clevis	1
1C	31041	Lower Clevis	1
1D	81044	1/2" x 1 1/4" Grade 5 Carriage Bolt	2
1E	81040	1/2" Lock Nut	2
2	81016	1" x 4" Hex Bolt	2
3	81017	1" Lock Nut	2
4	81019	2" Spindle, 3,500 lb., only	4
5	81018	6 Bolt Hub, Complete with bearings	4
6a	91008	Front End Complete, 60" track	1

KEY	PART#	Description	Qty.
6b	91009	Front End Complete, 72" track	1
6c	91010	Front End Complete, 76" track	1
6d	91011	Front End Complete, 80" track	1
7	31073	Reach	1
8	91017	2" Reach Pin	1
9a	81013	5-leaf Slipper Spring	2
9b	81014	7-leaf Slipper Spring	2
10	81015	Spring Bolt	2
11	81045	Spring Bolt Nut	2
12	91005	Spring Holder Bracket	2
13	81041	1/2" U Bolt	4
14	81040	1/2" Lock Nut	8
15a	91013	Fixed Rear End Complete, 60" track	1
15b	91014	Fixed Rear End Complete, 72" track	1

KEY	PART#	Description	Qty.
15c	91015	Fixed Rear End Complete, 76" track	1
15d	91016	Fixed Rear End Complete, 80" track	1
16	81048	3/4" x 4 1/2" Hex Bolt	2
17	81049	3/4" Hex Nut Nylon Lock Nut	2
18	31016	Spacer Pipe	1
19	81005	15 x 8 6-Bolt Rim	4
20	81006	15 x 10 6-Bolt Rim	4
21	81046	9/16" Lug Bolt	2
22a	81020	Bearings and seal, only	
22b	81021	Dust Cap, only	
22c	81047	6 Bolt Hub, only	
22d	81105	Washer 3/4	
22e	81103	3/4 x 16 UNF Castle Nut	
22f	81104	1/8" x 2" Cotter Pin	
23	91019	Reach Weldment	1

NH3 1,000 and 1,450 5th Wheel Wagon

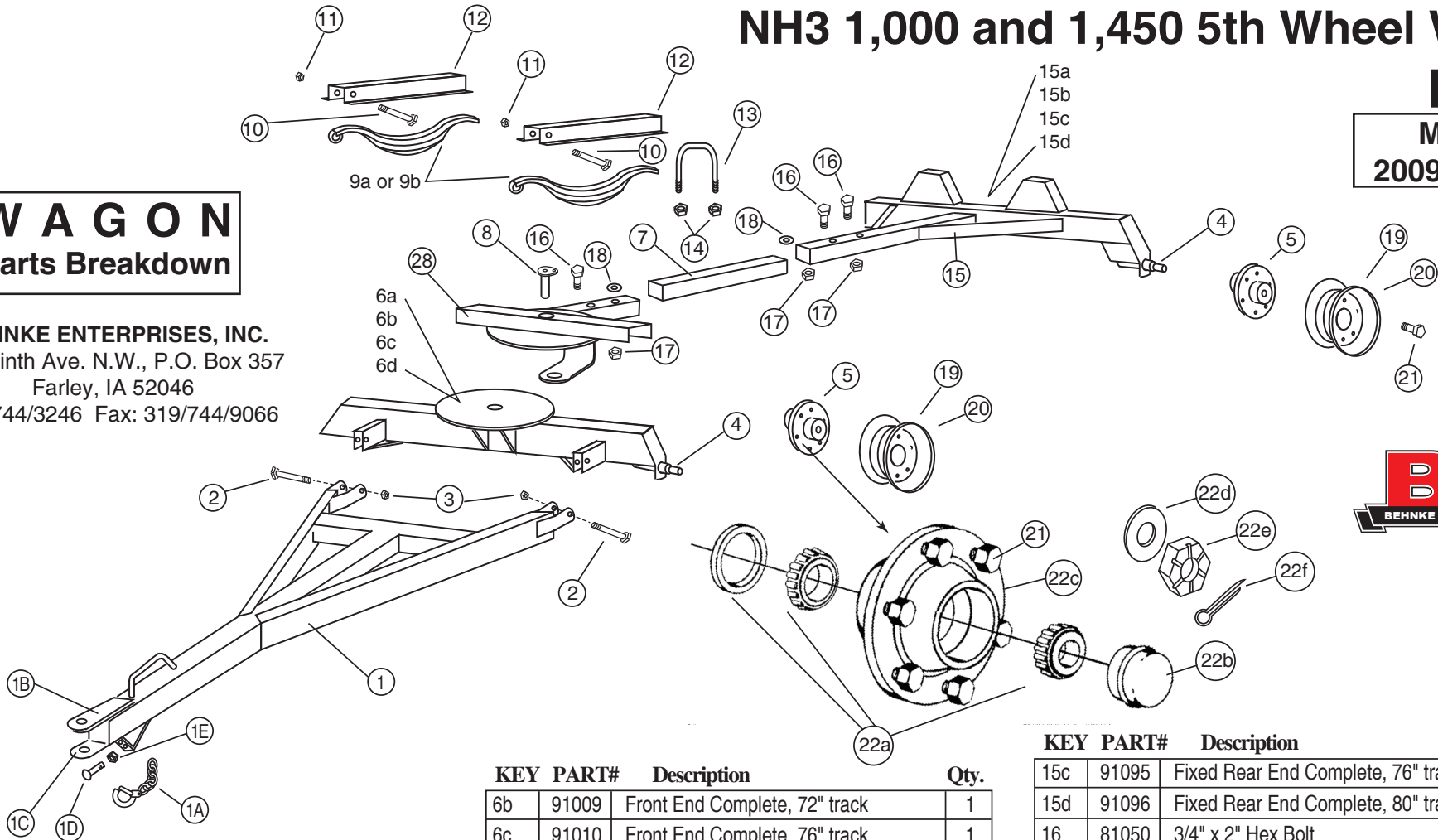
FIXED

Model Year
2009 or Newer

WAGON Parts Breakdown

BEHNKE ENTERPRISES, INC.
800 Ninth Ave. N.W., P.O. Box 357
Farley, IA 52046
319/744/3246 Fax: 319/744/9066

01/01/06



KEY PART#	Description	Qty.
1	91001 Tongue	1
1A	81012 Safety Chain w/ Hook	2
1B	31041 Upper Clevis	1
1C	31041 Lower Clevis	1
1D	81044 1/2" x 1 1/4" Grade 5 Carriage Bolt	2
1E	81040 1/2" Lock Nut	2
2	81016 1" x 4" Hex Bolt	2
3	81017 1" Lock Nut	2
4	81019 2" Spindle, 3,500 lb., only	4
5	81018 6 Bolt Hub, Complete with bearings	4
6a	91008 Front End Complete, 60" track	1

KEY PART#	Description	Qty.
6b	91009 Front End Complete, 72" track	1
6c	91010 Front End Complete, 76" track	1
6d	91011 Front End Complete, 80" track	1
7	31128 Reach	1
8	91017 2" Reach Pin	1
9a	81013 5-leaf Slipper Spring	2
9b	81014 7-leaf Slipper Spring	2
10	81015 Spring Bolt	2
11	81045 Spring Bolt Nut	2
12	91005 Spring Holder Bracket	2
13	81041 1/2" U Bolt	4
14	81040 1/2" Lock Nut	8
15a	91093 Fixed Rear End Complete, 60" track	1
15b	91094 Fixed Rear End Complete, 72" track	1

KEY PART#	Description	Qty.
15c	91095 Fixed Rear End Complete, 76" track	1
15d	91096 Fixed Rear End Complete, 80" track	1
16	81050 3/4" x 2" Hex Bolt	2
17	81049 3/4" Hex Nut Nylon Lock Nut	2
18	81051 3/4" Flat washer	1
19	81005 15 x 8 6-Bolt Rim	4
20	81006 15 x 10 6-Bolt Rim	4
21	81046 9/16" Lug Bolt	2
22a	81020 Bearings and seal, only	
22b	81021 Dust Cap, only	
22c	81047 6 Bolt Hub, only	
22d	81105 Washer 3/4	
22e	81103 3/4 x 16 UNF Castle Nut	
22f	81104 1/8" x 2" Cotter Pin	
23	91061 Reach Weldment	1

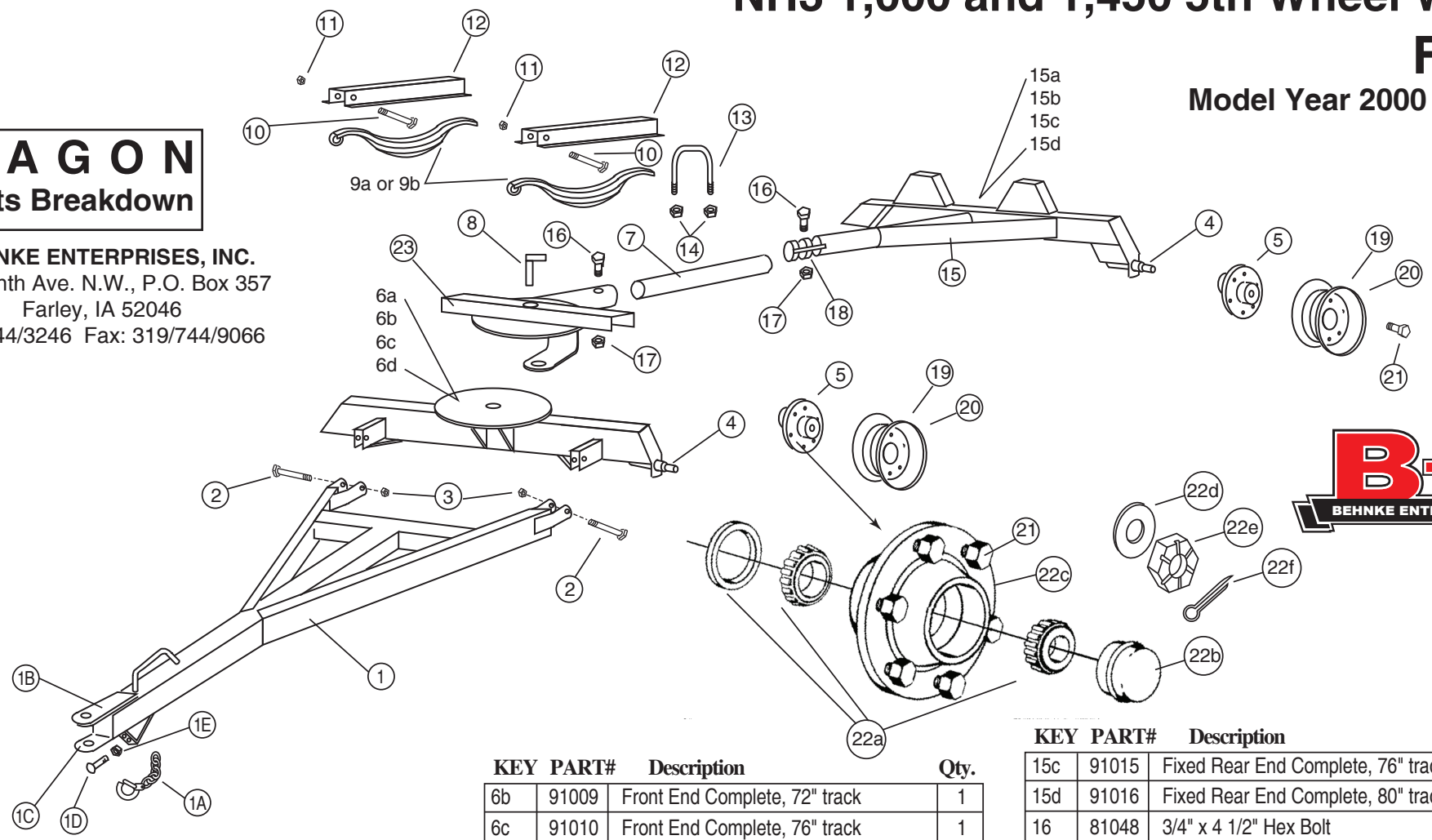
NH3 1,000 and 1,450 5th Wheel Wagon FIXED

Model Year 2000 or Newer

01/01/06

WAGON Parts Breakdown

BEHNKE ENTERPRISES, INC.
800 Ninth Ave. N.W., P.O. Box 357
Farley, IA 52046
319/744/3246 Fax: 319/744/9066



KEY PART#	Description	Qty.
1	91001 Tongue	1
1A	81012 Safety Chain w/ Hook	2
1B	31041 Upper Clevis	1
1C	31041 Lower Clevis	1
1D	81044 1/2" x 1 1/4" Grade 5 Carriage Bolt	2
1E	81040 1/2" Lock Nut	2
2	81016 1" x 4" Hex Bolt	2
3	81017 1" Lock Nut	2
4	81019 2" Spindle, 3,500 lb., only	4
5	81018 6 Bolt Hub, Complete with bearings	4
6a	91008 Front End Complete, 60" track	1

KEY PART#	Description	Qty.
6b	91009 Front End Complete, 72" track	1
6c	91010 Front End Complete, 76" track	1
6d	91011 Front End Complete, 80" track	1
7	31073 Reach	1
8	91017 2" Reach Pin	1
9a	81013 5-leaf Slipper Spring	2
9b	81014 7-leaf Slipper Spring	2
10	81015 Spring Bolt	2
11	81045 Spring Bolt Nut	2
12	91005 Spring Holder Bracket	2
13	81041 1/2" U Bolt	4
14	81040 1/2" Lock Nut	8
15a	91013 Fixed Rear End Complete, 60" track	1
15b	91014 Fixed Rear End Complete, 72" track	1

KEY PART#	Description	Qty.
15c	91015 Fixed Rear End Complete, 76" track	1
15d	91016 Fixed Rear End Complete, 80" track	1
16	81048 3/4" x 4 1/2" Hex Bolt	2
17	81049 3/4" Hex Nut Nylon Lock Nut	2
18	31016 Spacer Pipe	1
19	81005 15 x 8 6-Bolt Rim	4
20	81006 15 x 10 6-Bolt Rim	4
21	81046 9/16" Lug Bolt	2
22a	81020 Bearings and seal, only	
22b	81021 Dust Cap, only	
22c	81047 6 Bolt Hub, only	
22d	81105 Washer 3/4	
22e	81103 3/4 x 16 UNF Castle Nut	
22f	81104 1/8" x 2" Cotter Pin	
23	91019 Reach Weldment	1